

## OceanLink Pressure Gauges

### Description

The OceanLink 52mm gauges are connected directly to any OceanLink Master unit using the patented EasyLink serial bus connection. Up to 20 EasyLink gauges for each Master can be daisy-chained together. OceanLink Gauges have white and black dial version, which is always completed with bezel in identical colour. Optional Chrome bezel is available as decorative accessory.

### Boost Pressure



A2C1066140001



A2C1066160001



A2C1066150001



A2C1066170001

### Engine Oil Pressure



A2C1066000001



A2C1066020001



A2C1066010001



A2C1066030001

### Transmission Oil Pressure



A2C1066040001



A2C1066060001



A2C1066050001



A2C1066070001

Available Gauges:

Gauge PN	Gauge Type	Colour	Measurement range	Diameter (mm)
A2C1066140001	Boost Pressure	Black	2bar / 30psi	52
A2C1066150001	Boost Pressure	White	2bar / 30psi	52
A2C1066160001	Boost Pressure	Black	Low / High	52
A2C1066170001	Boost Pressure	White	Low / High	52
A2C1066000001	Engine Oil Pressure	Black	10bar/ 150psi	52
A2C1066010001	Engine Oil Pressure	Black	10bar/ 150psi	52
A2C1066020001	Engine Oil Pressure	White	Low / High	52
A2C1066030001	Engine Oil Pressure	Black	Low / High	52
A2C1066040001	Transmission Oil Pressure	White	30bar / 440psi	52
A2C1066050001	Transmission Oil Pressure	White	30bar / 440psi	52
A2C1066060001	Transmission Oil Pressure	Black	Low / High	52
A2C1066070001	Transmission Oil Pressure	White	Low / High	52

Features

- AMP Superseal EasyLink connector
- < 100 mA
- Illumination: pointer red, dial white
- 240° pointer deflection angle
- Reverse polarity protection
- Plastic double lens anti-fog
- 52 mm Installation Diameter
- Operating temperature range -20 °C / +70 °C
- Storage temperature range -30 °C / +85 °C



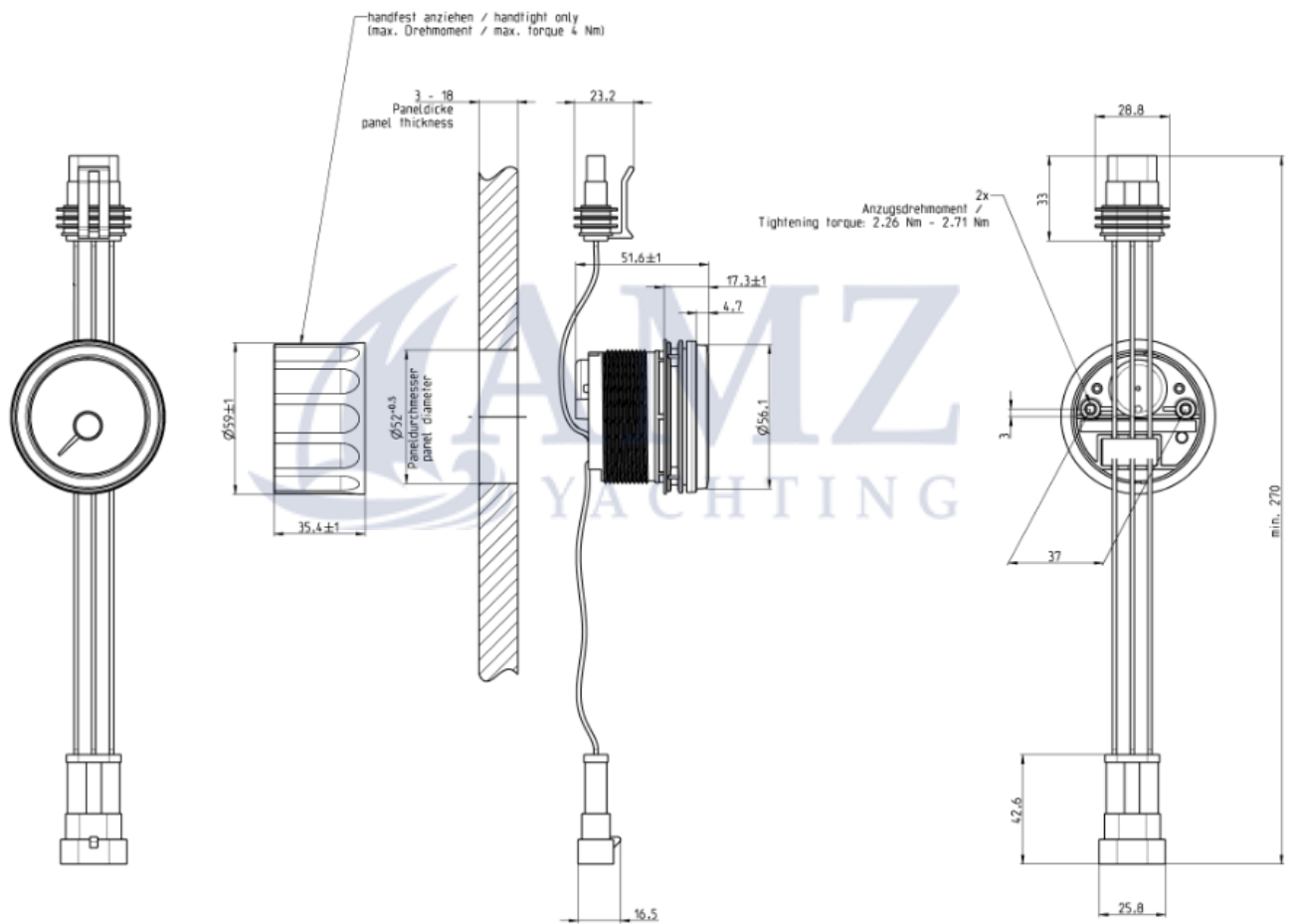
Technical Data	
<b>Housing</b>	Material: PBT- FR Bezel: Black, White
<b>Dimensions</b>	Installation Diameter: 52mm
<b>Operating Voltage</b>	9.0 -32 VDC
<b>Current Consumption</b>	<100mA
<b>Operating Temperature</b>	-20°C to +70°C
<b>Storage Temperature</b>	-30°C to +85°C
<b>Nominal Position</b>	NL 0 to NL 85; According to DIN 16257
<b>Mounting/Fixing</b>	Top or flush mount
<b>Protection Class</b>	IEC60945 exposed equipment Front: IPX5 extended Rear:IPX5
<b>Flammability</b>	UL94-V0
<b>EMC</b>	I DIN-EN 61000-6-2:2006 IEC 60945:2002/ISO7637-2
<b>Reverse Polarity Protection</b>	Yes
<b>Short Circuit Protection</b>	Yes, 1 minute
<b>Approval</b>	CE and RoHS

**Connectors**

AMP Superseal 3 Pol

Pin	Signal
1	EasyLink – Power
2	EasyLink – Data
3	EasyLink – GND

**Mechanical Design**



**Accessories**

Part Number	Item specifics
A2C1141440001	Round black bezel 52mm
A2C5336487001	Round chrome bezel, 52mm
A2C1352110001	Round white bezel, 52mm
A2C1650700001	EasyLink extension cable
A2C5205947101	Union Nut 52mm